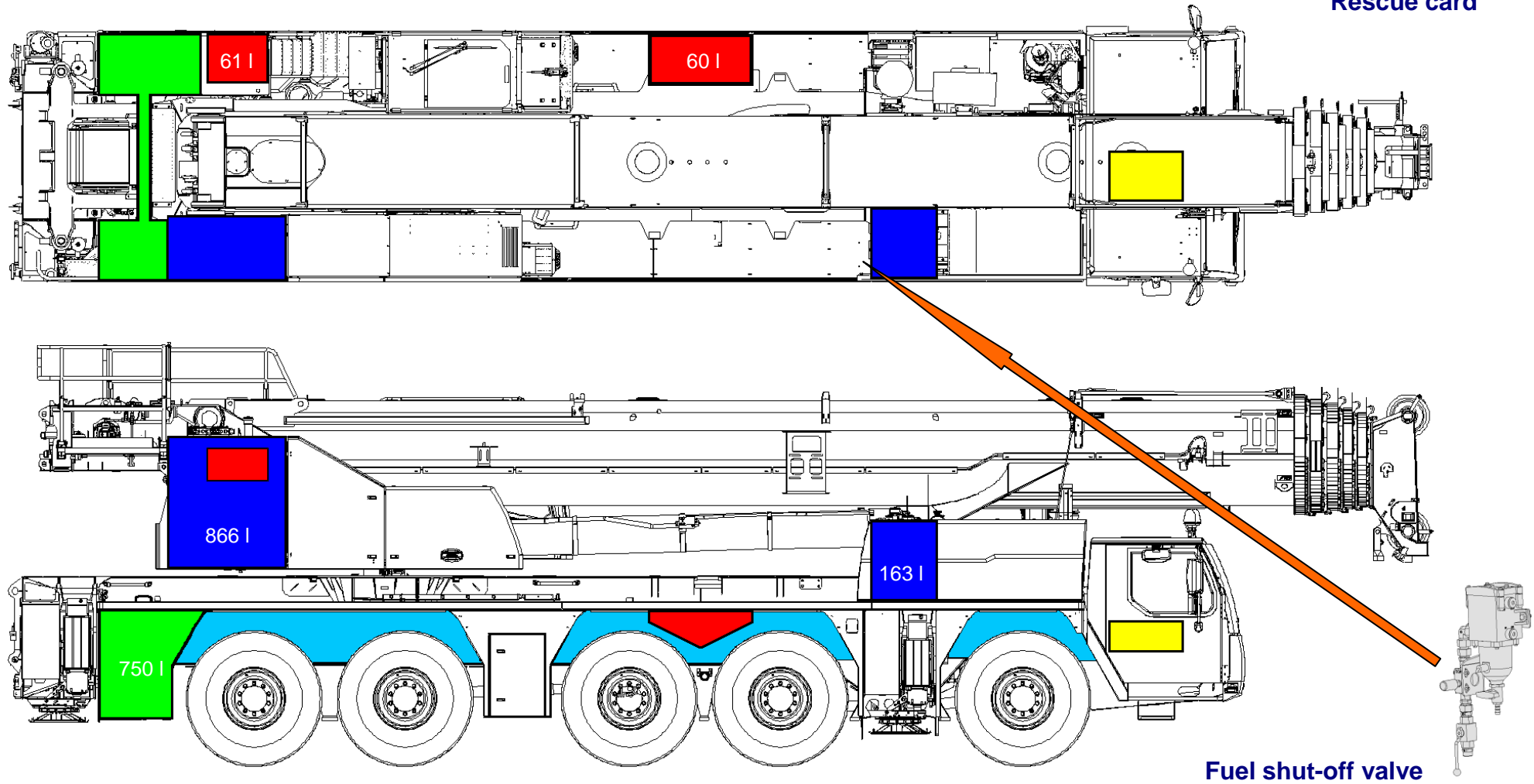




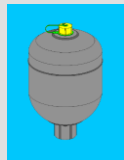




Rescue card

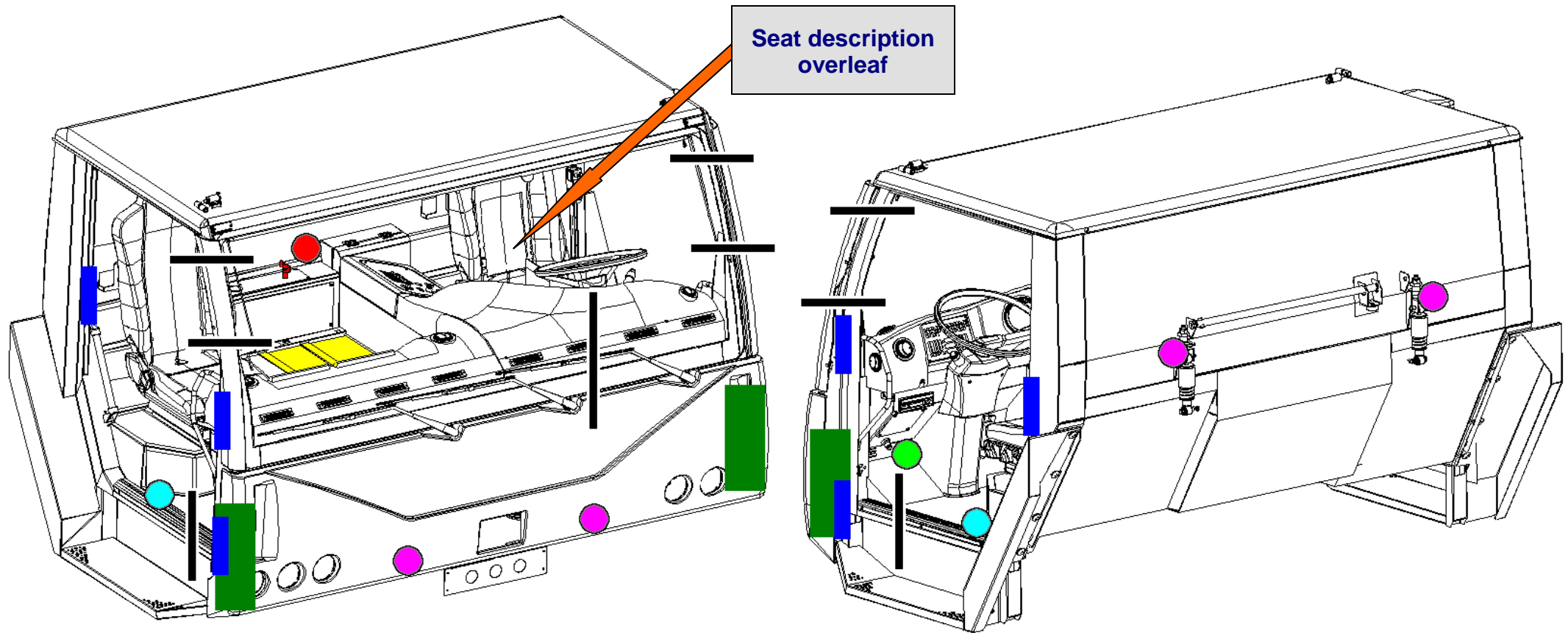
This rescue card consists of 3 sheets (6 pages)!
It must generally be stored in the jacket provided for it in the cab!









Rescue card



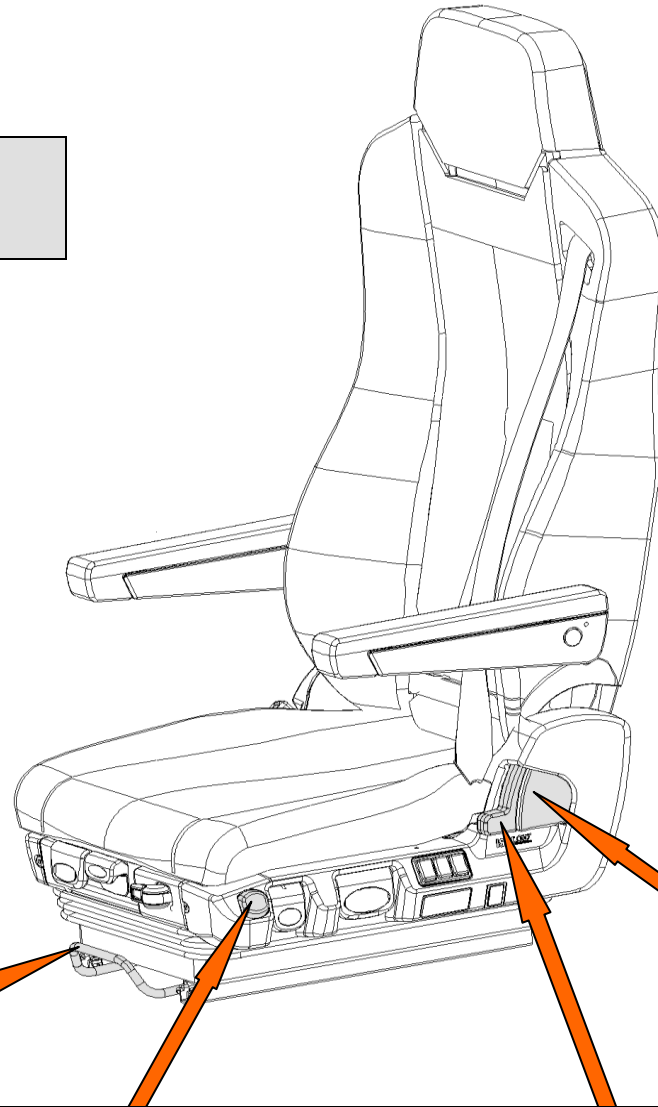
Fuel shut-off valve

	<p>Several positions in the wheel housings</p>		<p>Oil reservoir (Hydraulic oil)</p>		<p>Fuel tank (Diesel fuel)</p>		<p>optional Fuel tank (Diesel fuel)</p>		<p>Battery 2 x 12 V</p>
<p>Diaphragm reservoir (nitrogen)</p>									

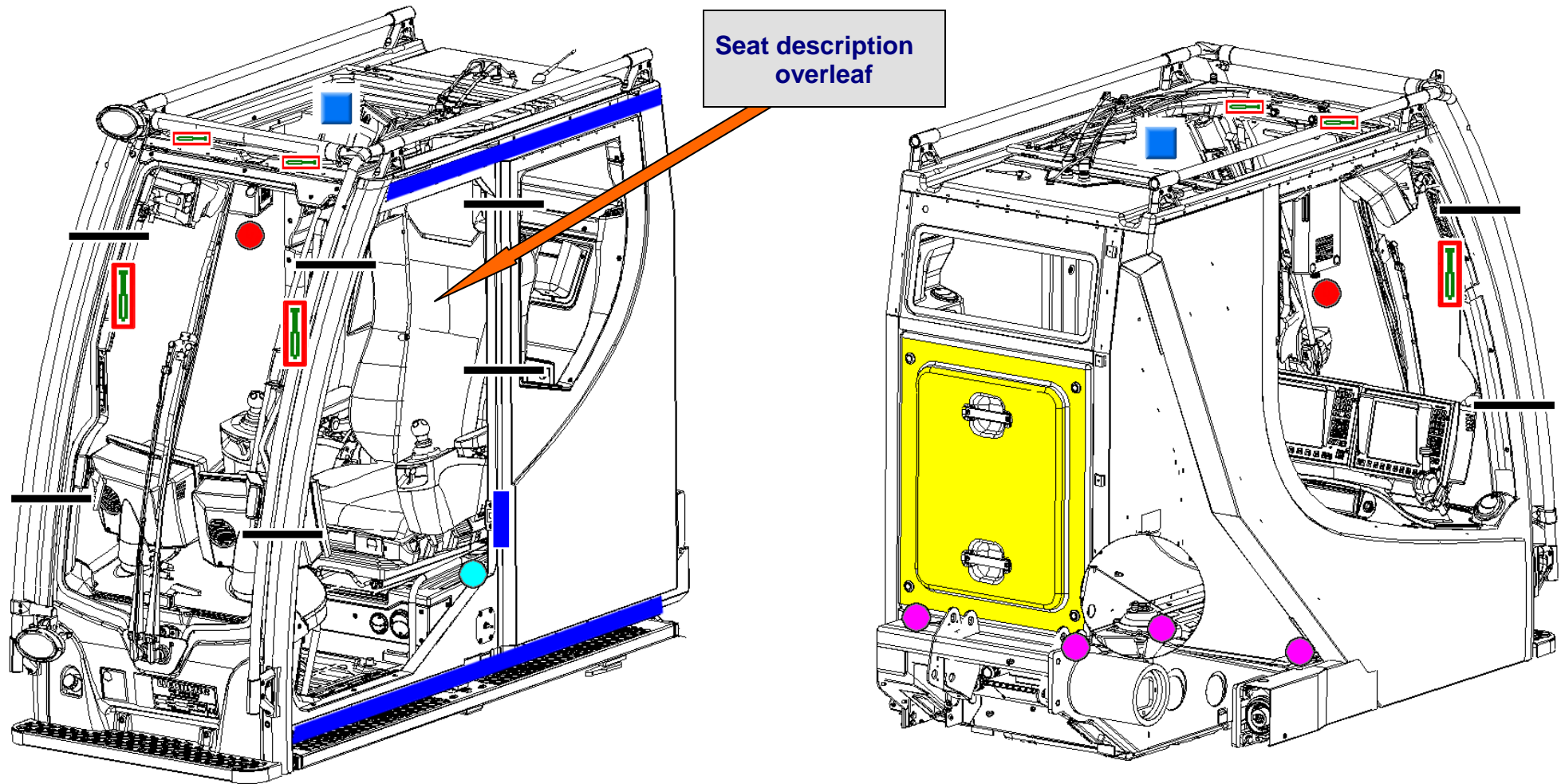


 <p>Body reinforcement</p>	 <p>Optimal cutting line</p>	 <p>Door lock/ Hinge</p>	 <p>Optimal pressure point</p>	 <p>Main switch</p>	 <p>Cab mounting point</p>	 <p>Steering wheel adjustment</p>	 <p>Battery 2 x 12V</p>
---	---	---	---	--	---	--	--

Seat
Driver's cab

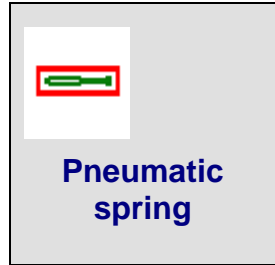
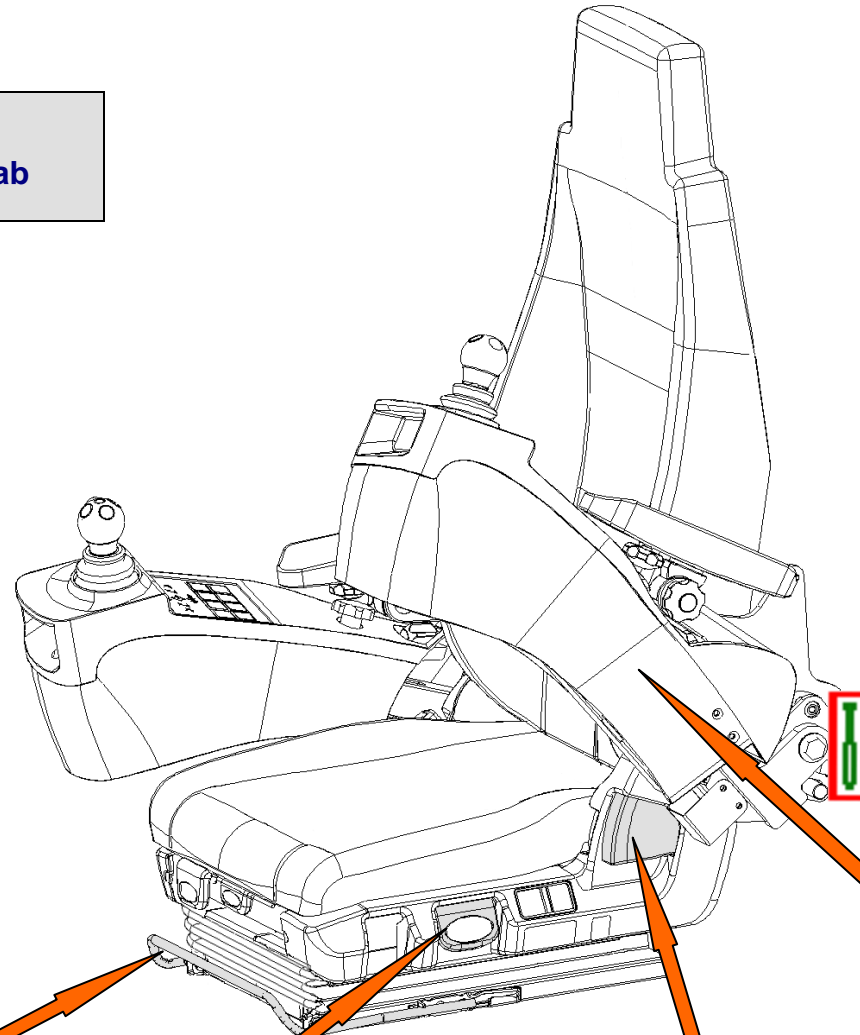


<p>Setting the horizontal Completely pull up lever and adjust seat</p>	<p>Lowering Press lever up or down as necessary</p>	<p>Shoulder adjustment Pull lever up and set the upper seat back half</p>	<p>Backrest adjustment Completely pull up lever and adjust seat back</p>
---	--	--	---



Pneumatic spring	Optimal cutting line	Door lock/Door guide	Optimal pressure point	Emergency stop switch	Cab bearing point	Multiple glass safety glass	Control units

**Seat
Crane operator's cab**



<p>Setting the horizontal Completely pull up lever and adjust seat</p>	<p>Height adjustment Pull or push lever and adjust seat height</p>	<p>Backrest adjustment Completely pull up lever and adjust seat back</p>	<p>Left console Fold console up or down</p>
---	---	---	--